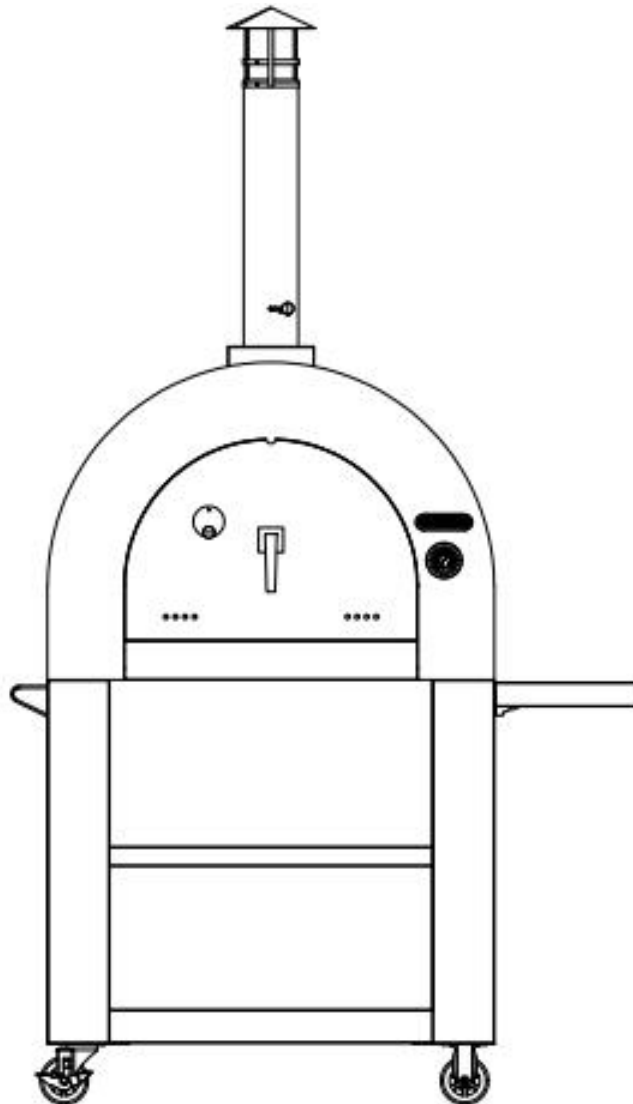

Assembly User's Guide For Wood Burning Pizza Oven & Pizza Oven Cart



THIS ASSEMBLY MANUAL CONTAINS IMPORTANT SAFETY INFORMATION.

PLEASE READ AND KEEP FOR FUTURE REFERENCE.

TABLE OF CONTENTS

Safety Instruction	1-2
Cart Exploded View	3
Cart Exploded Part No	4
Cart Packing Part List	5
Cart Installation	6-10
Pizza Oven Exploded View	11
Pizza Oven Exploded Part No	12
Pizza Oven Packing Part List	13
Pizza Oven Installation	14-18
Ordering Parts	19
Limited Warranty	20-21

Thank you for purchasing the outdoor pizza oven.

We appreciate your business and we recommend that you read this entire owner's manual before operating your new pizza oven for the first time. Carefully and completely review all safety instructions prior to use. This manual contains instructions on how to properly install and set up your new pizza oven, as well as insights into great features that our product offers. Please keep this manual for your future reference.

Thank you,

Warning: For outdoor use only!



WARNING

This product can expose you to chemicals including lead and di(2-ethylhexyl)phthalate, which are known to the State of California to cause cancer, birth defects or other reproductive harm.

For more information, go to
www.P65Warnings.ca.gov

SAFETY INSTRUCTIONS

- **INSTALLING YOUR WOOD BURNING PIZZA OVEN REQUIRES 2 OR MORE PEOPLE.**
- **NEVER INSTALL HEAVY PRODUCTS BY ONE PERSON; DOING SO CAN CAUSE SERIOUS INJURY.**
- **NEVER ALLOW CHILDREN TO OPERATE THE PIZZA OVEN.**
- **NEVER LEAVE CHILDREN UNATTENDED NEAR THE PIZZA OVEN WHEN IT IS BURNING WOOD.**
- **ACCESSIBLE PARTS MAY BE VERY HOT, KEEP AWAY FROM CHILDREN.**
- **DO NOT MOVE THIS PIZZA OVEN DURING USE.**
- **DO NOT STORE EMPTY, FULL OR SPARE GAS CYLINDERS IN, UNDER OR NEAR THIS PIZZA OVEN.**
- **NEVER STORE GASOLINE OR HAZARDOUS MATERIALS INSIDE THE PIZZA OVEN OR ON THE PIZZA OVEN CART.**
- **NEVER USE GASOLINE OR OTHER FLAMMABLE VAPOROUS LIQUIDS TO START YOUR PIZZA OVEN.**
- **PLEASE KEEP ALL FLAMMABLE LIQUIDS AT A SAFE DISTANCE FROM THE PIZZA OVEN.**
- **USE GOOD QUALITY, HARD WOOD WHEN COOKING IN THE PIZZA OVEN.**
- **WEARING PROTECTIVE HEAT RESISTANT GLOVES ARE RECOMMENDED WHEN HANDLING PIZZA OVEN COMPONENTS THAT MAY GET HOT DURING USE (PIZZA OVEN DOOR HANDLE)**
- **REMOVE ALL PACKING MATERIALS FROM THE INSIDE OF THE PIZZA OVEN BEFORE USE**
- **NEVER LEAVE THE PIZZA OVEN UNATTENDED, WHILE PRE-HEATING OR COOKING**
- **NEVER LEAN OVER OR TOUCH THE PIZZA OVEN DOME WHILE THE PIZZA OVEN IS IN USE.**



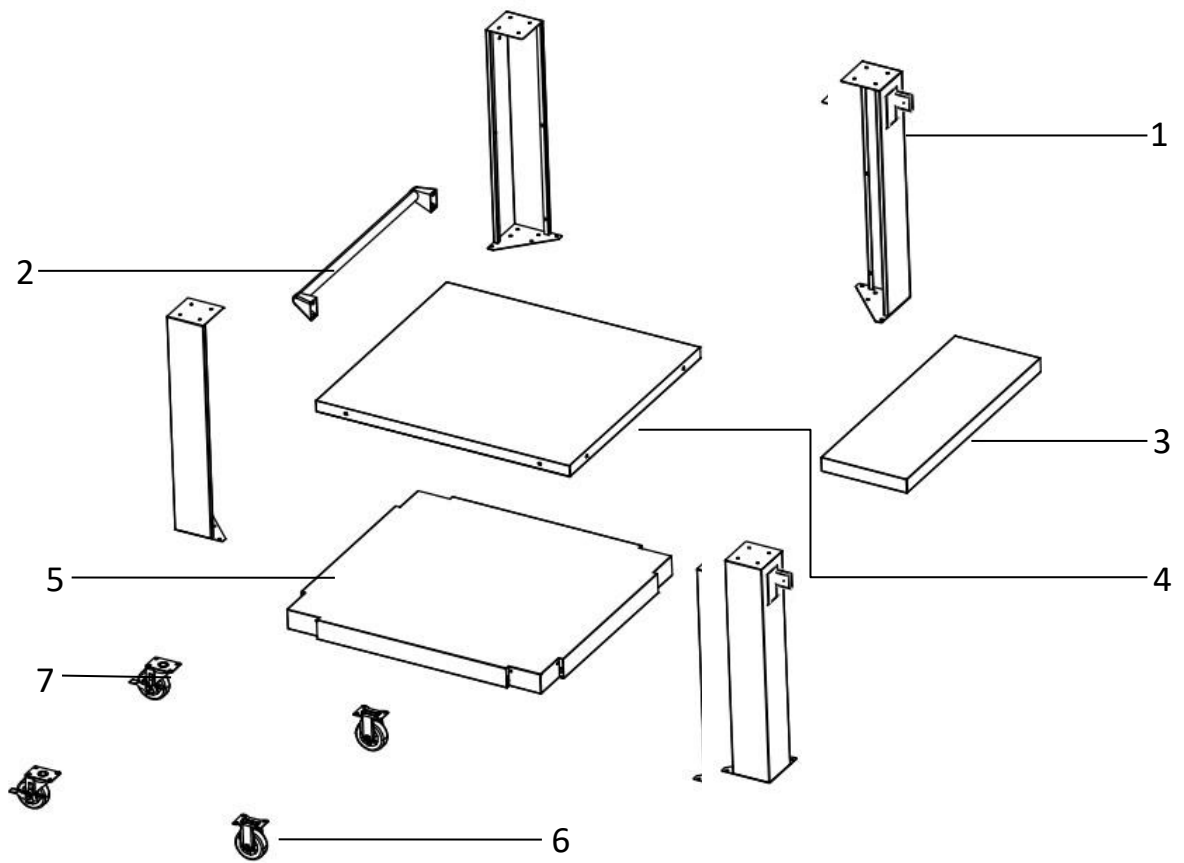
WARNING: Do not use any flammable liquids to start a fire

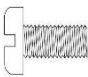
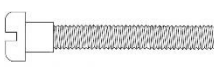




IMPORTANT:

Always check local building codes on governing outdoor appliance installations before starting. Make sure that the area around the oven is free of dry vegetation and wood structures are at least 10 feet away from your new Wood Pizza Oven.

Before cleaning the pizza oven and pizza oven cart, allow your Wood Pizza Oven to cool. Never use solvents.

PIZZA OVEN CART EXPLODED VIEW

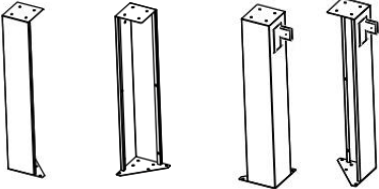
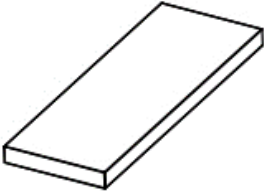
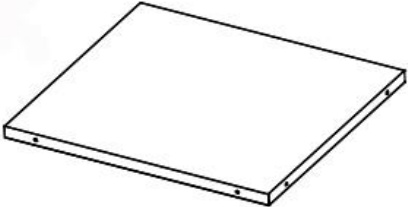
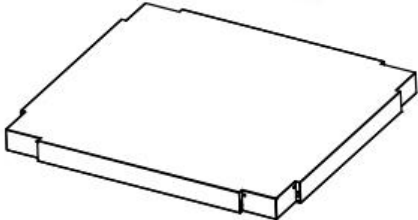
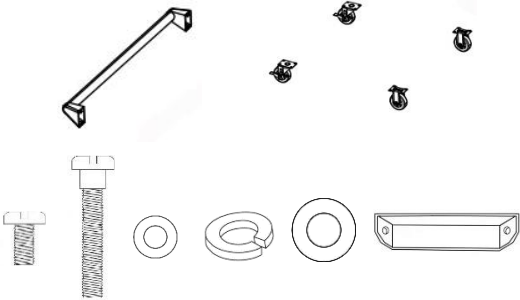


8	9	10	11	12	13
					

PIZZA OVEN CART EXPLODED PART NO.:

Part NO.	Descriptions	Quantity
1	Legs	4
2	Side Handle	1
3	Folding Side Shelf	1
4	Large Upper Shelf	1
5	Base	1
6	Caster (Fixed)	2
7	Caster (Swivel with brake)	2
8	M6*15 Screw	60
9	Step Screw	2
10	M6 Flat Washer	60
11	M6 Lock Washer	60
12	M8 Flat Washer	18
13	Brackets for Large Upper Shelf	4

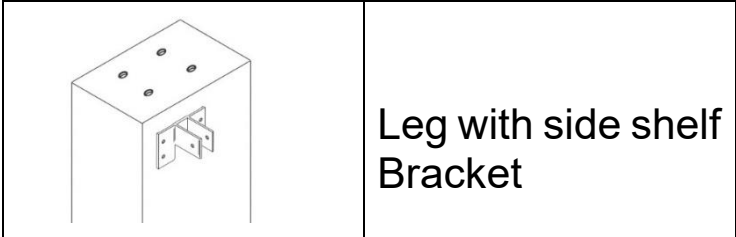
PIZZA OVEN CART PACKING PART LIST:

Part NO.	Descriptions	QTY(PCs)	Pictures
1	Legs (2 have side shelf brackets already attached)	2+2	
3	Side Shelf	1	
4	Upper Shelf	1	
5	Base	1	
2, 6, 7, 8, 9, 10, 11, 12, 13	Side Handle, Caster (Fixed), Caster (Swivel with Brake), M6*15 Screw, M6 Step Screw, M6 Flat Washer, Lock Washer, M8 Flat Washer, Upper shelf bracket	209	

Installing the Pizza Oven Cart

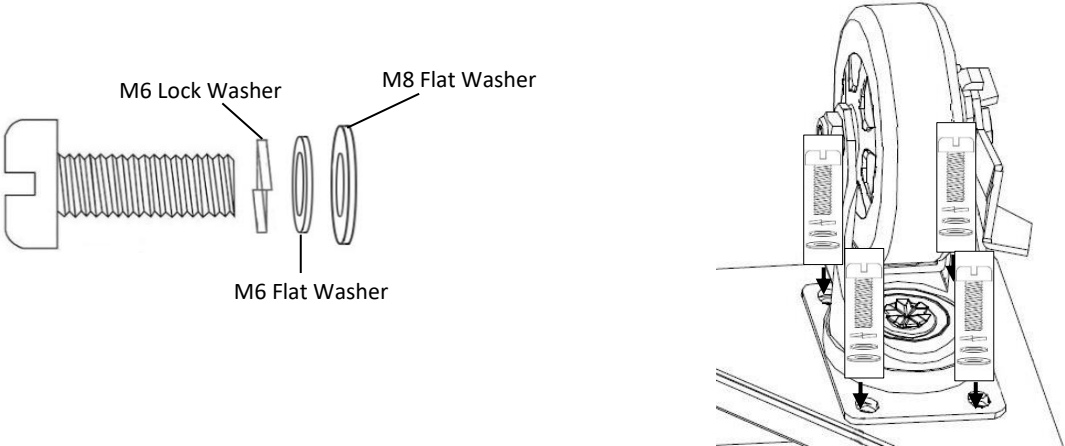
Step one: Installation of Legs and Wheels

- Phillip screwdriver is needed for installation.
- Place cart bottom upside down on a worktable. Attach “4” legs & “4” wheels.
 - o Make sure “2” legs, each with the side shelf bracket, are attached on same side of base. Refer to image below
 - o Make sure when installing casters the “2” (fixed) wheels are on the same side of base & on the legs with the side shelf brackets

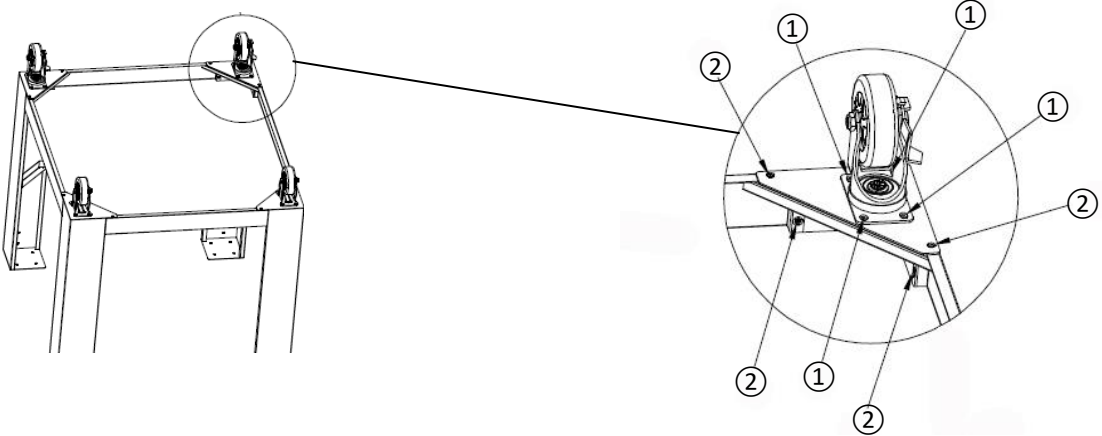


- Refer to the image below for screw, lock washer and flat washer usage

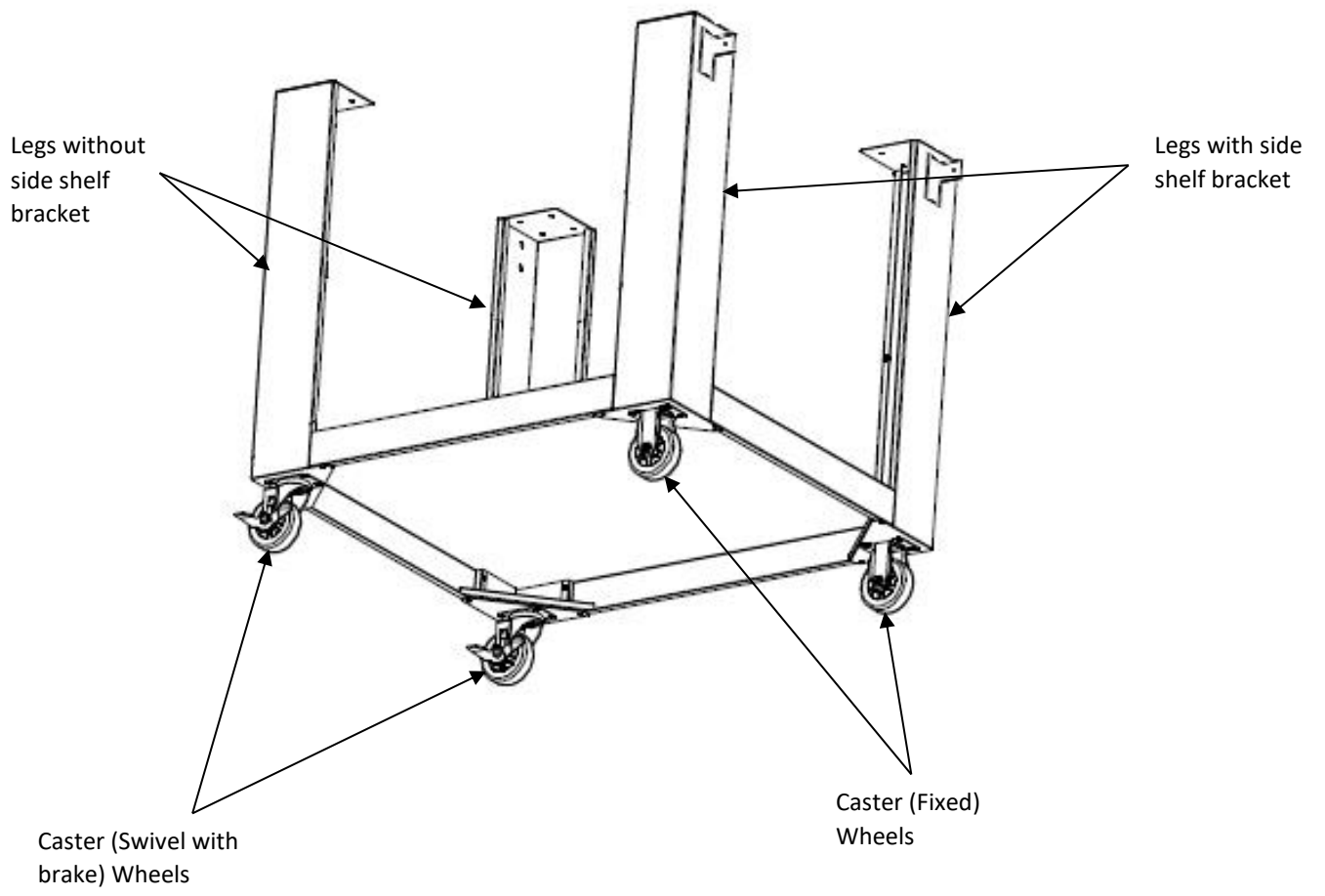
① Total 16 pieces M6*15 Screws + 16 pieces Lock Washer + 16 pieces Flat Washer + 16 pieces M8 Flat Washer



② Total 16 pieces M6*15 Screws (Note: Lock Washer and Flat washer are not needed)

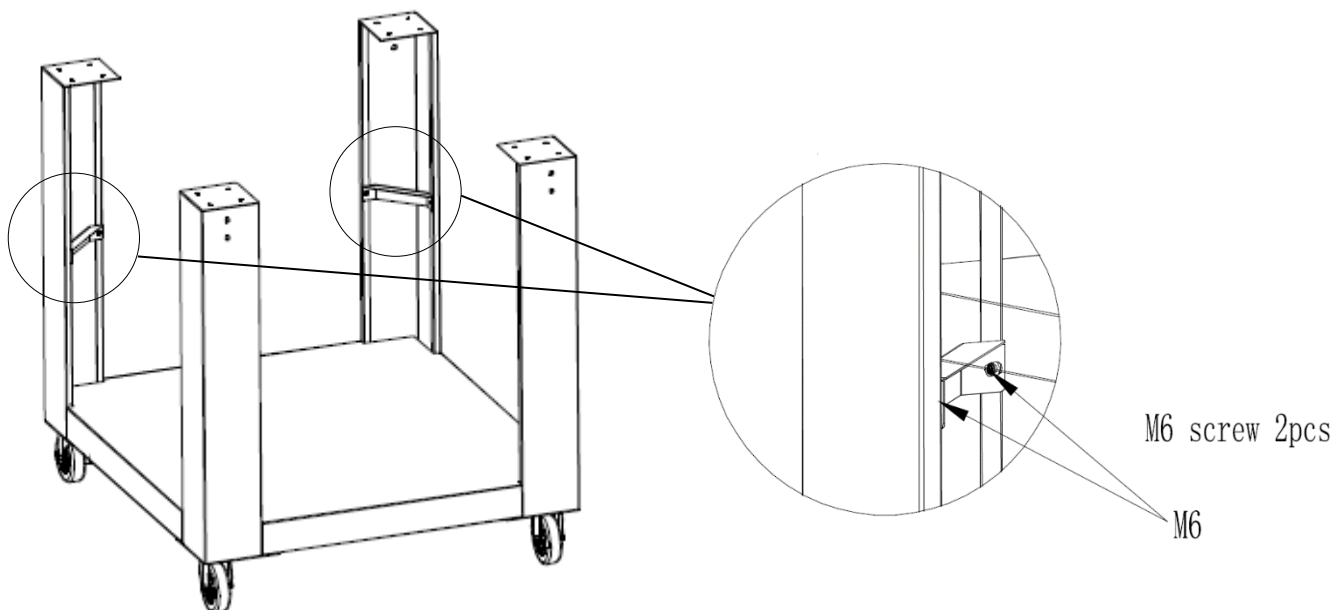


- The result should look like the image below.

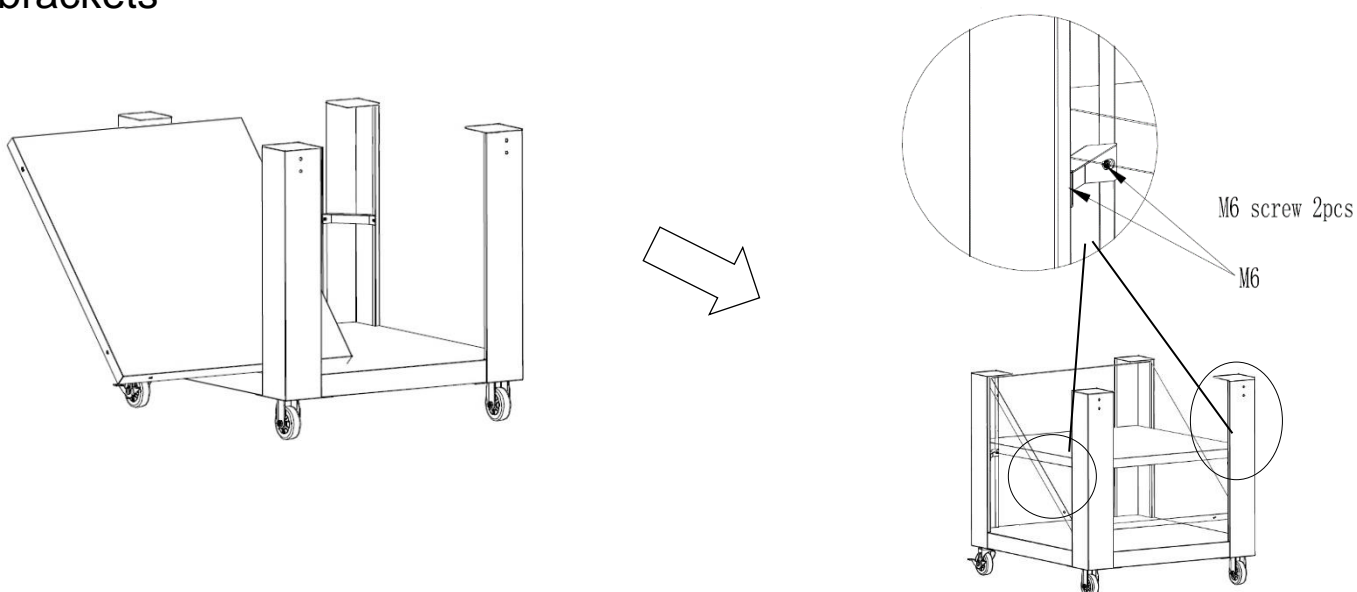


Step two: Installation of Upper Shelf

- Install “2” upper shelf brackets onto the legs with side shelf brackets (Use two M6*15 screws for each bracket)

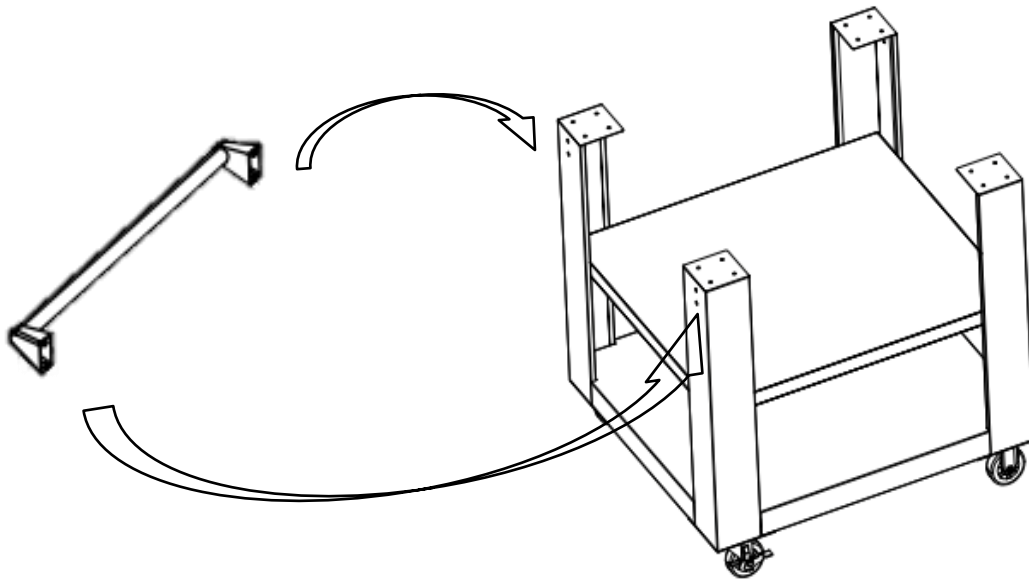


- Slide in the large upper shelf diagonally into the cart.
- Lay the upper shelf flat on the, now attached, 2 upper shelf brackets
- Lift the other end of large shelf “above” the holes on the legs referencing where the remaining “2” shelf brackets are to be installed. Attach the remaining “2” shelf brackets (“2” people are required to complete this assembly step)
- Carefully, lower the large shelf onto the remaining, now installed, shelf brackets

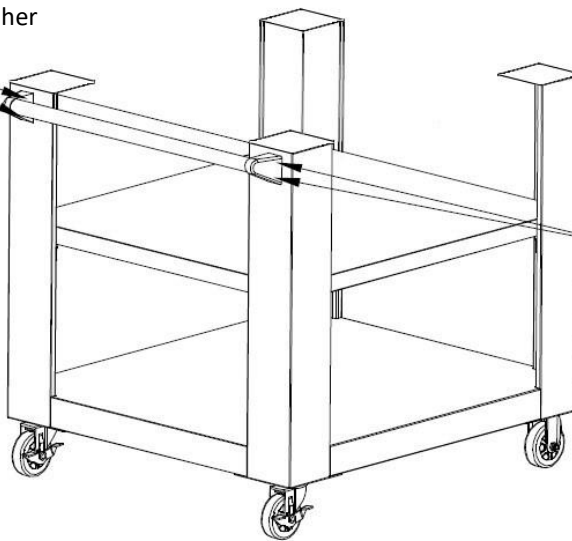


Step three: Installation of Side Handle

- Install the side handle to the legs that have the referencing holes (Use "4" M6*15 screws and M6 flat washers).



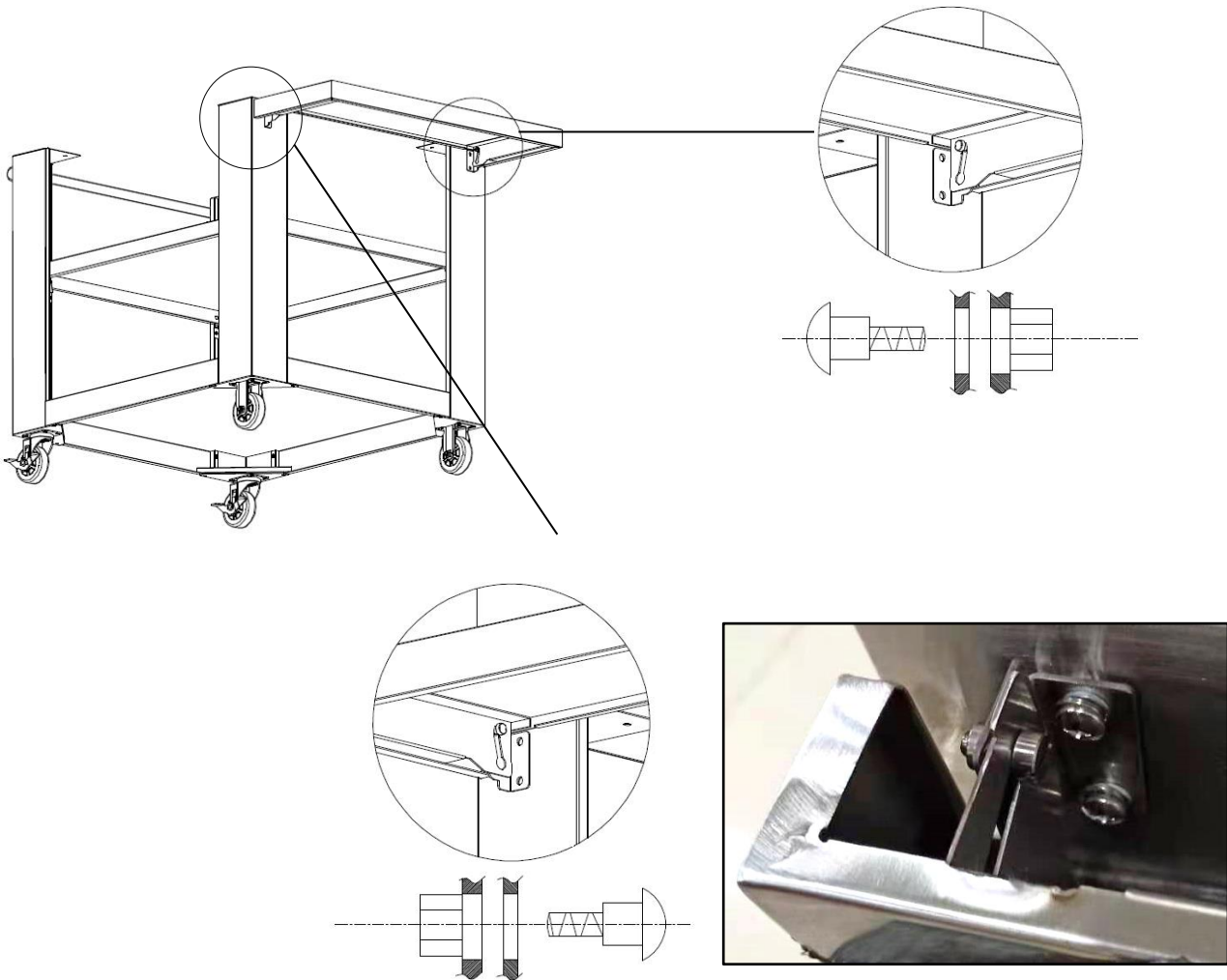
M6*15 screws + M6 Flat Washer



M6*15 screws + M6 Flat Washer

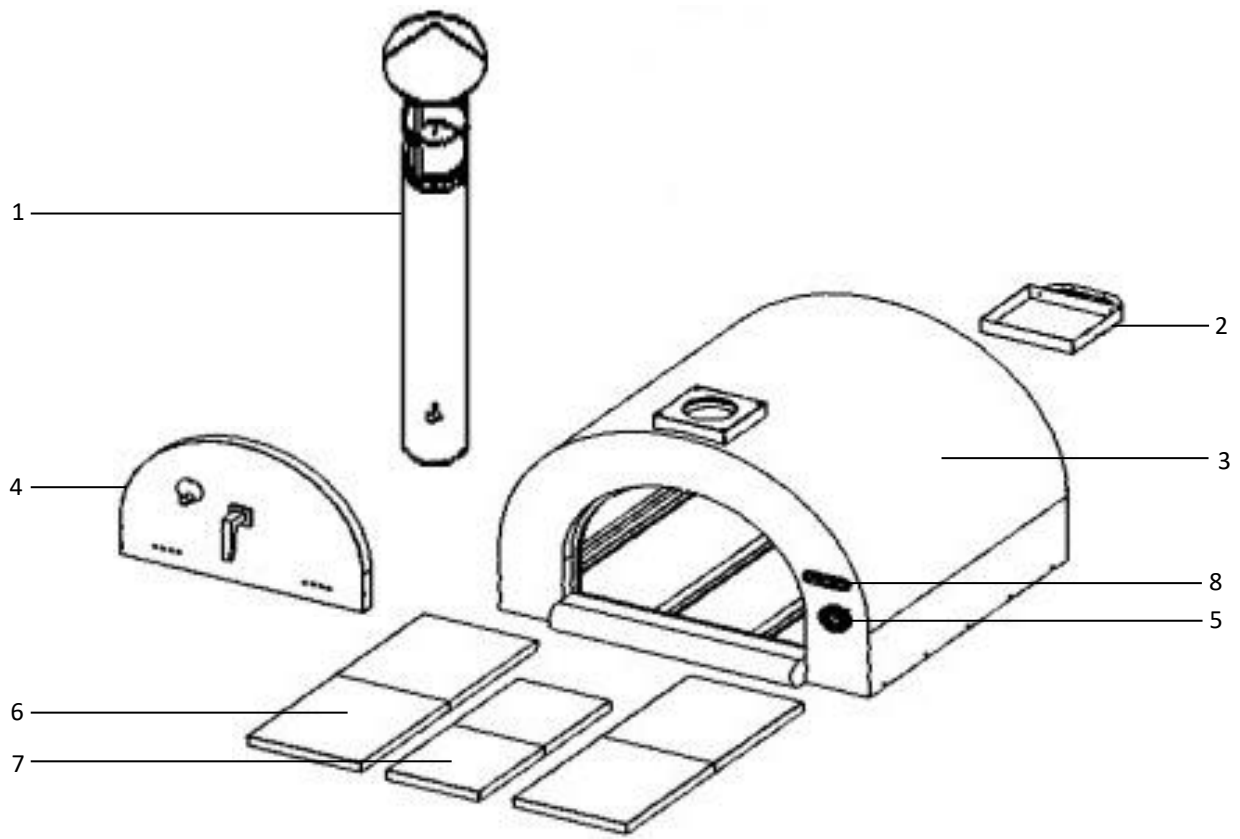
Step four: Installation of Side Shelf

- Install the folding side shelf as shown in the figure below (2 Step Screws and matching nuts will be used).
- Make sure the nut is facing outside and the screw is facing inside.



Congratulations, you have built the Pizza Oven cart successfully!

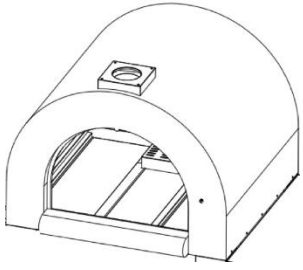

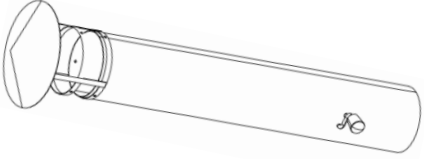
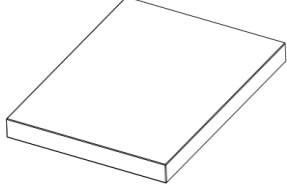
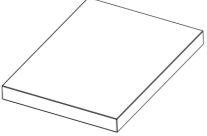
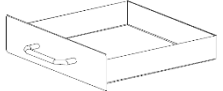

PIZZA OVEN EXPLODED VIEW



PIZZA OVEN EXPLODED PART NO.:

Part NO.	Descriptions	Quantity
1	Pizza Oven Chimney Stack	1
2	Ash Tray	1
3	Pizza Oven Dome	1
4	Pizza Oven Door	1
5	Thermometer	1
6	Pizza Oven Cooking Stones - Large	4
7	Pizza Oven Cooking Stones - Small	2
8	Brand Logo Location	1

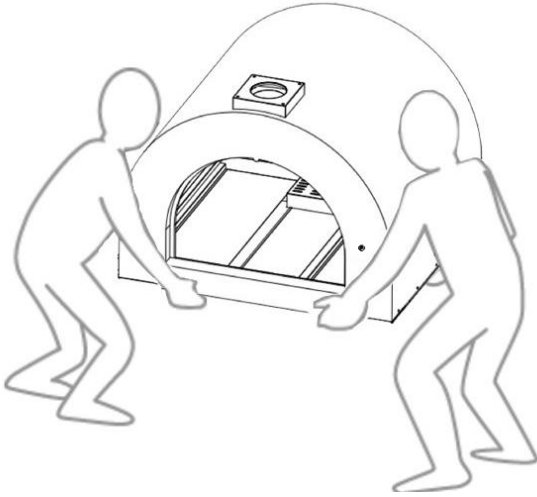
PIZZA OVEN PACKING PART LIST:

Part NO.	Screw Type	QTY(PCs)	Pictures
3	Pizza Oven Dome	1	
4	Pizza Oven Door	1	
1	Chimney Stack with Spark Guard	1	
6	Pizza Oven Large Cooking Stones	4	
7	Pizza Oven Small Cooking Stones	2	
2	Ash Tray	1	
5, 8	Thermometer, Brand Logo	2	

Installing the Pizza Oven

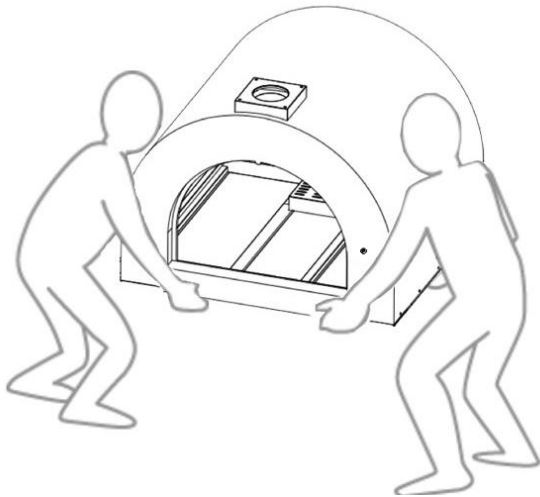
Step one: Carefully Place the Pizza Oven onto Insulated, Heavy Duty Outdoor Tabletop or Pizza Oven Cart

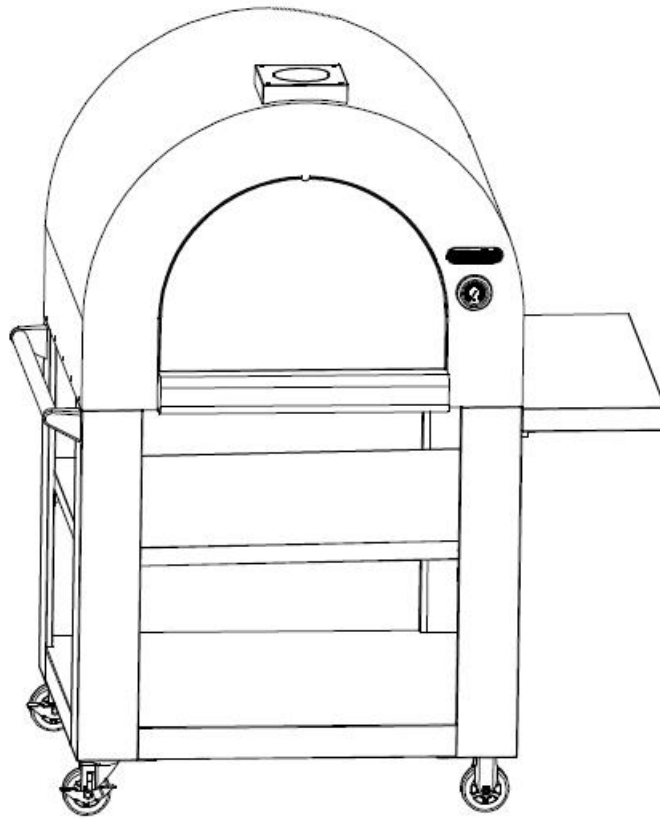
- Insulated Outdoor Tabletop:
 - o Two people are required to lift the pizza oven and securely place it on the table top



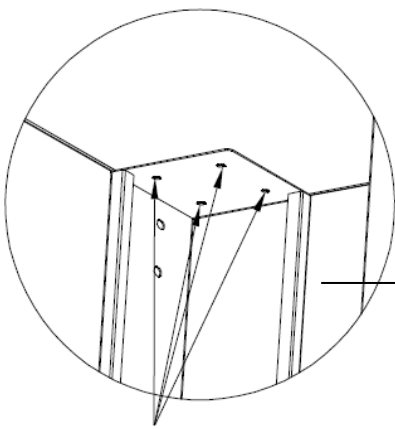
- o Install the logo and the thermometer

- Pizza Oven Cart
 - o Two people are needed to lift the pizza oven and secure it on the Pizza Oven Cart per the instructions provided

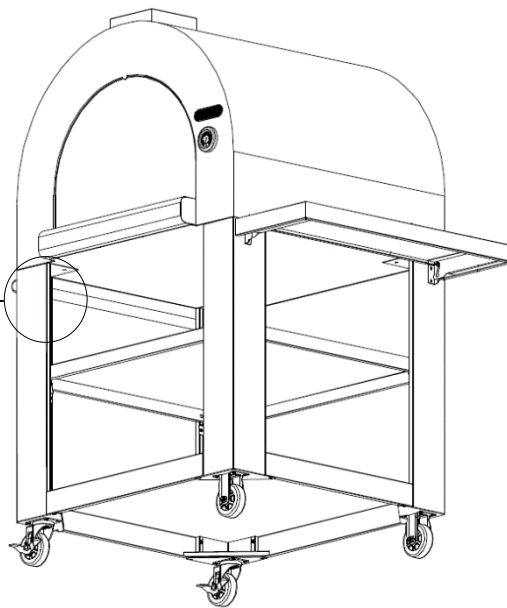




- Secure the pizza oven onto the pizza oven cart as shown in image below. Make sure screw holes on cart align with holes on bottom of pizza oven.



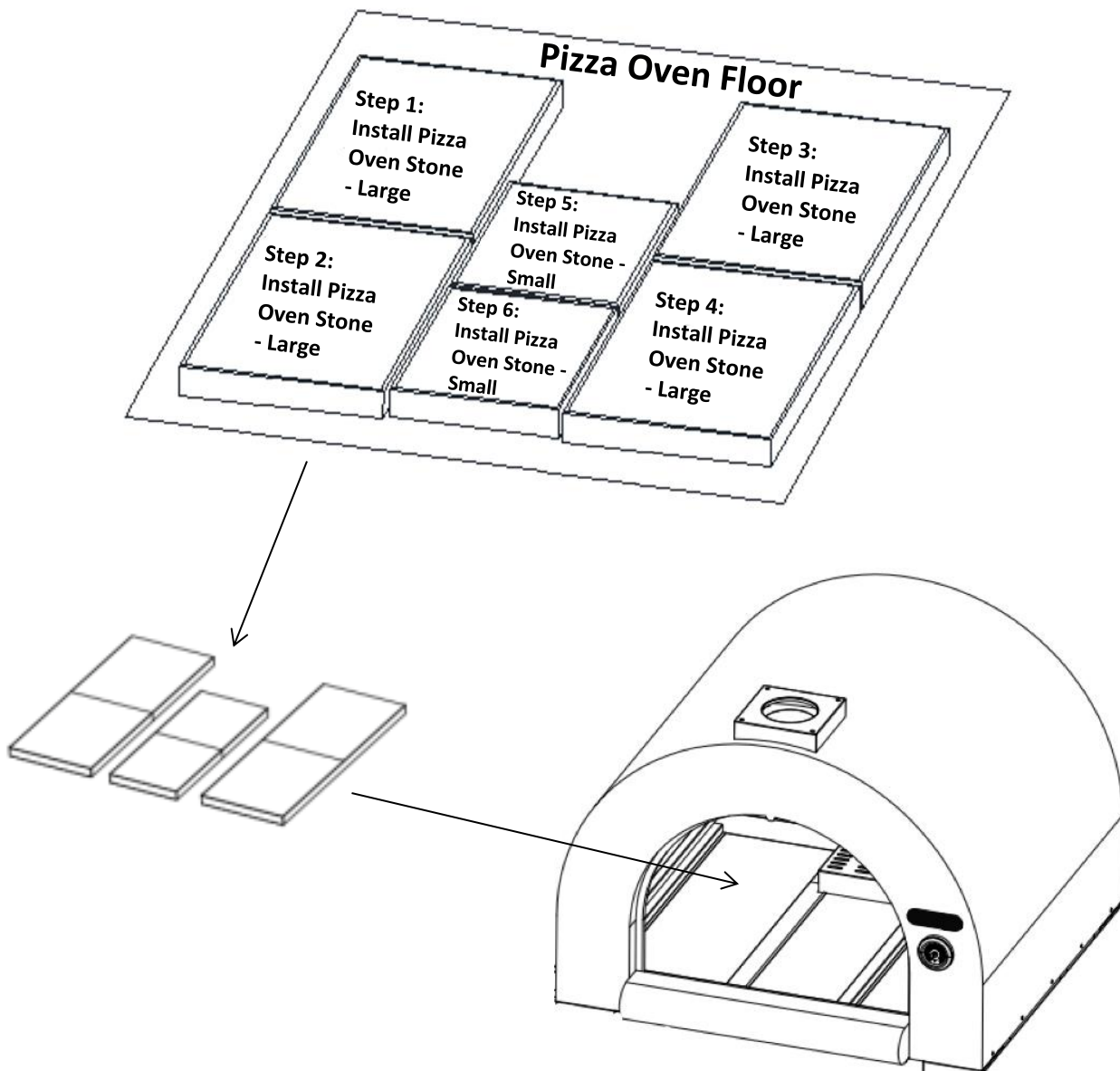
4 pieces M6*15 Screws
with flat washers



- Install the logo and thermometer

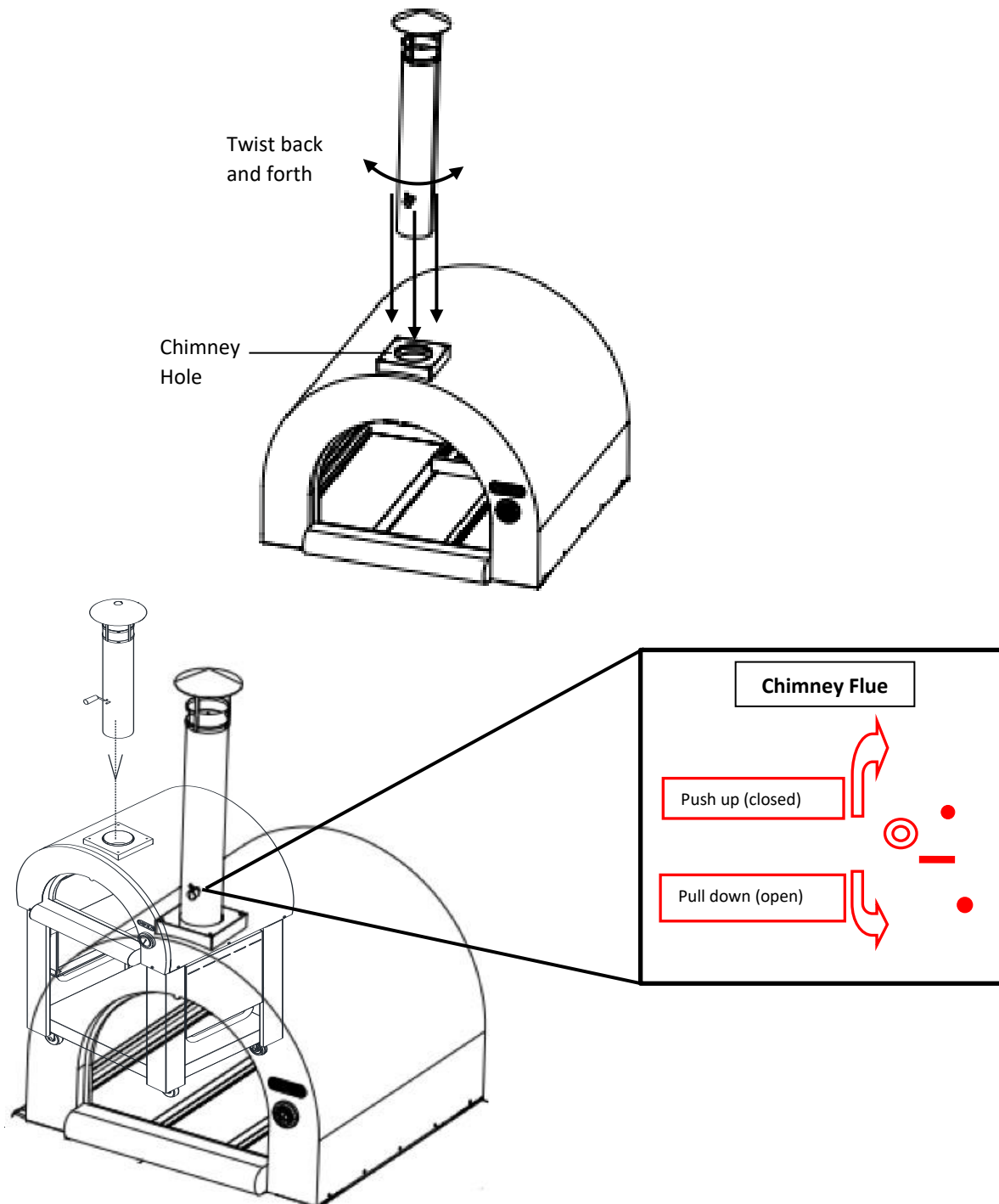
Step two: Install the Pizza Stones

- Carefully place the 6 stones inside the oven dome according to the image shown below (*Be sure not to drop the stones, while placing them on the Pizza Oven Floor*).



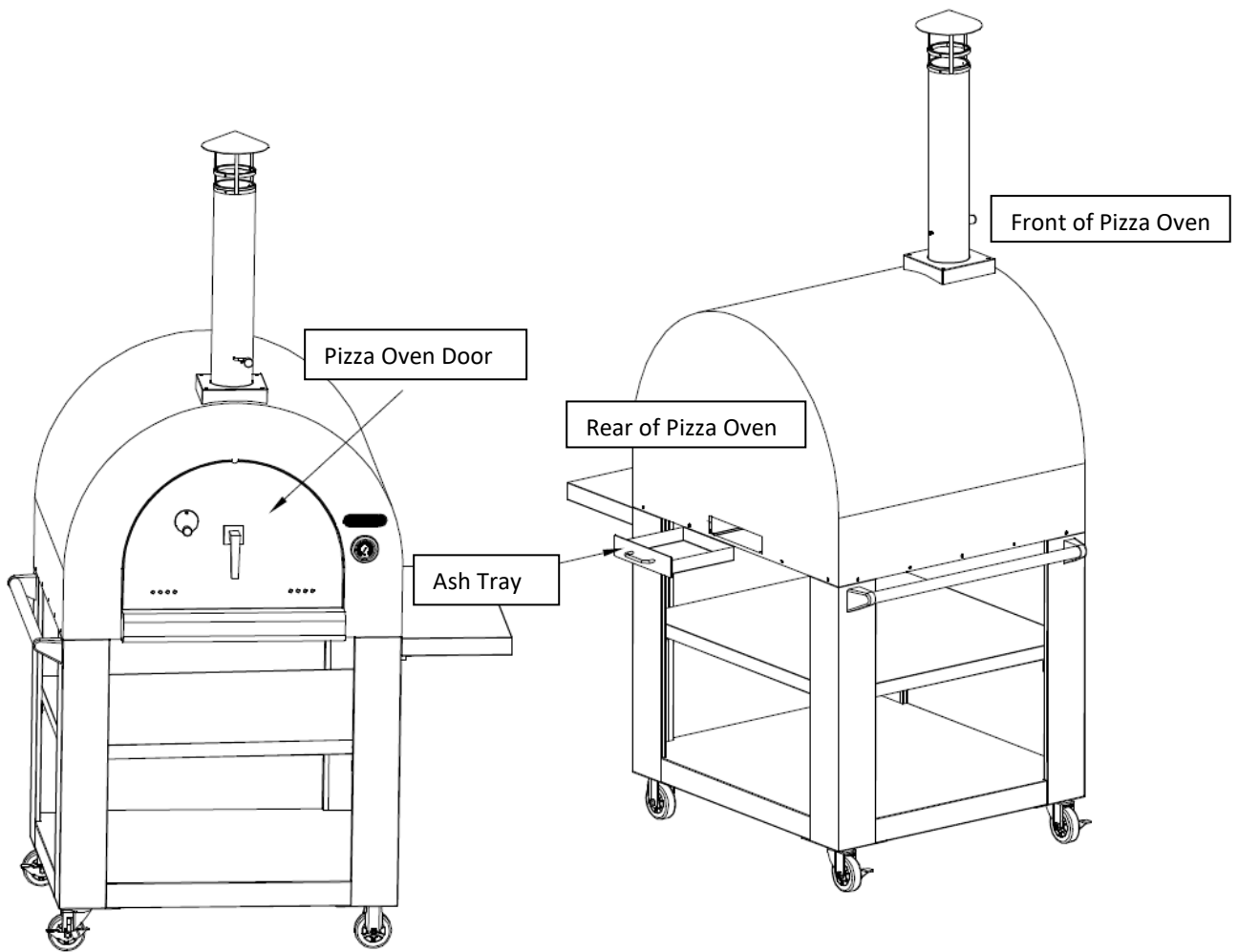
Step three: Install the Chimney stack

- With two hands, carefully insert the chimney stack into the opening on top of the pizza oven dome, as shown in the images below. (Use a gentle, downward twisting motion to secure the stack in place)



Step four: Install the Pizza Oven Door and Ash Tray

- Install Ash Tray and the Pizza Oven Door as shown in the images below.



Congratulations, you have built the Pizza Oven successfully.
Please enjoy cooking on it.

ORDERING PARTS

HOW TO ORDER REPLACEMENT PARTS

- Make sure you obtain the correct replacement part(s) for your pizza oven, please refer to the parts list
- The following information is required to assure you're receiving the correct part.
- Model number (see the manual and the packing box).
- Part number of replacement part needed.
- Description of replacement part needed.
- Quantity of parts needed.

To obtain replacement parts, please send email to our customer service department:

nxracs@duro-global.com

IMPORTANT

Use only factory authorized parts. The use of any part that is not factory authorized can be dangerous. This will also void your warranty.

Keep this assembly and operating instruction manual for a convenient referral and for ordering replacement parts.

LIMITED WARRANTY

DURO warrants to the original consumer-purchaser only that this product shall be free from defects in workmanship, materials after correct assembly, under normal use, and reasonable home use for the periods indicated below from the beginning of the purchase date. The manufacturer reserves the right to require photographic evidence of damage for review and examination that defective parts can be returned or for postage. Freight is pre-paid by the consumer.

Pizza oven dome: 2-year warranty.

Pizza Oven Dome: 2-Year LIMITED warranty; does not cover dropping, chipping, scratching, or surface damage.

Pizza Oven Dome: 2-Year LIMITED warranty against perforation; does not cover cosmetic issues like surface corrosion, scratches and rust.

Pizza oven Cart: 2-year warranty.

Pizza Oven Cart: 2-Year LIMITED warranty; does not cover dropping, chipping, scratching, or surface damage.

Pizza Oven Cart: 2-Year LIMITED warranty against perforation; does not cover cosmetic issues like surface corrosion, scratches and rust.

All other parts: 2-Year LIMITED warranty (Includes, but not limited to, chimney, pizza stone, temperature gauge); does not cover chipping, scratching, cracking surface corrosion, scratches or rust.

Upon consumer supplying the proof of purchase as provided herein, Manufacturer will repair or replace the parts which are proven defective during the applicable warranty period. Parts required to complete such repair or replacement shall be free of charge to you except for shipping costs, as long as the purchaser is within the warranty period from the original date of purchase. The original consumer-purchaser will be responsible for all shipping charges of parts replaced under the terms of this limited warranty. This limited warranty is applicable in the United Kingdom only, is only available to the original owner of the product and is not transferable. Manufacturer requires reasonable proof of your date of purchase. Therefore, you should retain your sales receipt and/or invoice. If the unit was received as a gift, please ask the original purchaser of the product to send in the receipt on your behalf to the address below. Defective or missing parts subject to this limited warranty will not be replaced without registration or proof of purchase. This limited warranty applies to the functionality of the product ONLY and does not cover cosmetic issues such as scratches, dents, corrosion or discoloring by heat, abrasive, and chemical cleaners or any tools used in the assembly or installation of the appliance, surface rust, or the discoloration of stainless-steel surfaces. Surface rust, corrosion, or powder paint chipping on metal parts that does not affect the structural integrity of the product. This is not considered a defect in workmanship or material and is not covered by this warranty. This limited warranty will not reimburse you for the cost of any inconvenience, food, personal injury or property damage. If an original replacement part is not available, a comparable replacement part will be sent. You will be responsible for all shipping charges of parts replaced under the terms of this limited warranty.

ITEMS MANUFACTURER WILL NOT PAY FOR:

- Service calls to your home.
- Repairs when your product is used for abnormal, single-family household or residential use.
- Damage resulting from accident, alteration, misuse, lack of maintenance/cleaning, abuse, fire, flood, acts of God, improper installation, and installation not in accordance with electrical or plumbing codes or use of products not approved by the manufacturer.
- Any food loss due to product failures.
- Replacement parts or repair labor costs for units operated outside the United States or Canada.

- Pickup and delivery of your product.
- Postage fees or photo processing fees for photos sent in as documentation.
- Repairs to parts or systems resulting from unauthorized modifications made to the product.
- The removal and/or re-installation of your product.
- Shipping cost, standard or expedited, for warranty/non warranty and replacement parts.

DISCLAIMER OF IMPLIED WARRANTIES; LIMITATION OF REMEDIES

Repair or replacement of defective parts is your exclusive remedy under the terms of this limited warranty. Manufacturer will not be responsible for any consequential or incidental damages arising from the breach of either this limited warranty or any applicable implied warranty, or for failure or damage resulting from acts of God, improper care and maintenance, grease fire, accident, alteration, replacement of parts by anyone other than the Manufacturer, misuse, transportation, commercial use, abuse, hostile environments (inclement weather, acts of nature, animal tampering), improper installation or installation not in accordance with local codes or printed manufacturer instructions.

THIS LIMITED WARRANTY IS THE SOLE EXPRESS WARRANTY GIVEN BY THE MANUFACTURER. NO PRODUCT PERFORMANCE SPECIFICATION OR DESCRIPTION WHEREVER APPEARING IS WARRANTED BY MANUFACTURER EXCEPT TO THE EXTENT SET FORTH IN THIS LIMITED WARRANTY. ANY IMPLIED WARRANTY PROTECTION ARISING UNDER THE LAWS OF ANY STATE, INCLUDING IMPLIED WARRANTY OF MERCHANTABILITY OR FITNESS FOR A PARTICULAR PURPOSE OR USE, IS HEREBY LIMITED IN DURATION TO THE DURATION OF THIS LIMITED WARRANTY.

Neither dealers nor the retail establishment selling this product has any authority to make any additional warranties or to promise remedies in addition to or inconsistent with those stated above. Manufacturer’s maximum liability, in any event, shall not exceed the documented purchase price of the product paid by the original consumer. This warranty only applies to units purchased from an authorized retailer and or re-seller. NOTE: Some states do not allow an exclusion or limitation of incidental or consequential damages.

Some of the above limitations or exclusions may not apply to you; this limited warranty gives you specific legal rights as set for herein. You may also have other rights which vary from region. If you wish to obtain performance of any obligation under this limited warranty, you should write to:

DURO CORPORATION
17018 Evergreen Place
City of Industry, CA 91745
USA

All consumer returns, parts orders, general questions, and troubleshooting assistance can be acquired by sending email to our customer service department: nxracs@duro-global.com

If you prefer to speak to a live person, dial our toll-free number at

1-888-909-8818; Monday-Friday 8:30 AM- 4:30 PM PST or live chat with us at nxrproducts.com. Language spoken: English.